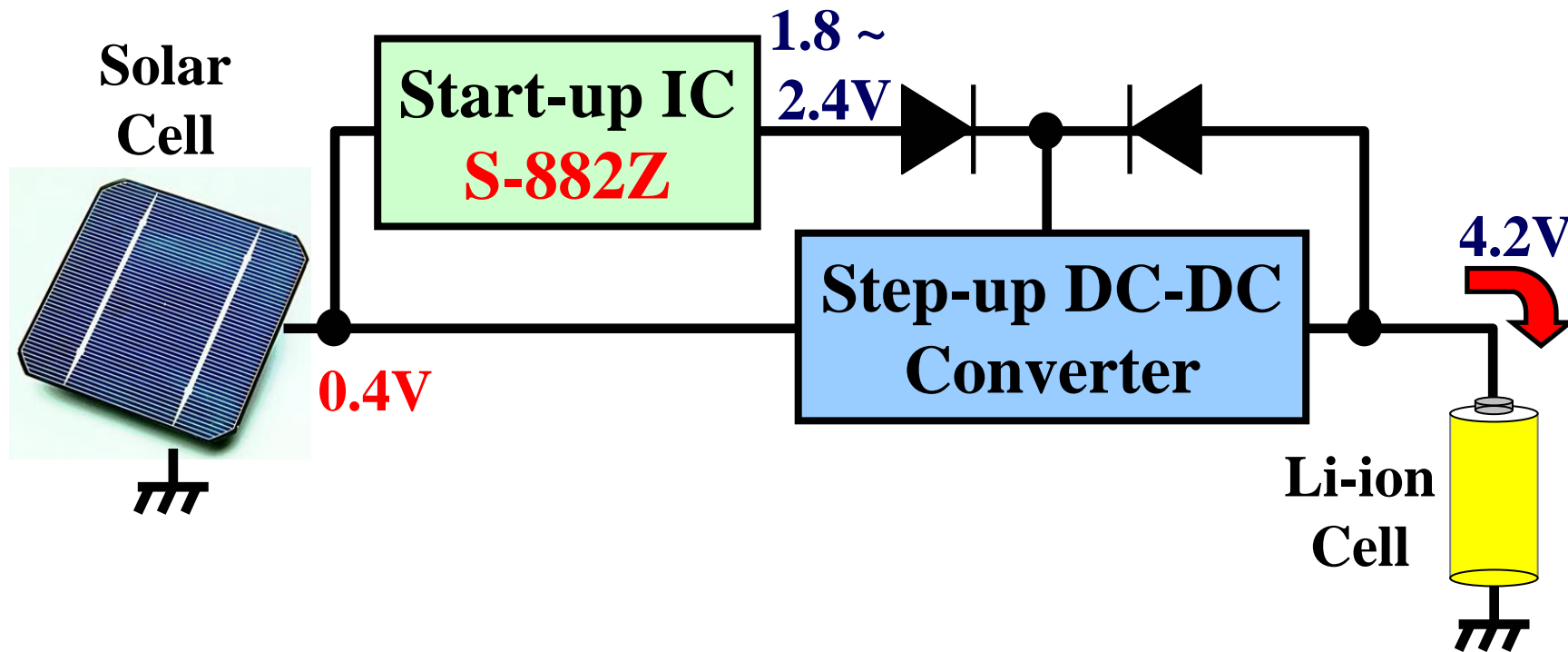


S-882Z Start up IC for Step-up DC/DC

Solar Powered Case



S-882Z Start up IC for Step-up DC/DC

Application : Outdoor LED Lamp

