



Welcome to our E-News for March 2010

We hope you find products of your interest and if you like more information, please call or write to us at +45 46 900 400 or sales@acte.dk



Save the forest. Please consider the environment before printing this e-mail.



TDK-Lambda augments EFE medical range with 28V, 40V and 48V models

TDK-Lambda extends its successful range of EFE300M digitally controlled **medical power supplies** with the addition of three new models with nominal outputs of 28V / 10.71A, 40V / 7.5A or 48V / 6.25A.

[Read here:](#)



Fischer Elektronik offers a wide variety of connectors for PCB and IC's and all is made in Germany under ISO 14001 and 9001.

If you like to receive a **sample box for free** with samples of many different types and sizes please reply to this E-News with your name, company and address.

For the complete program of **Fischer Elektronik**:

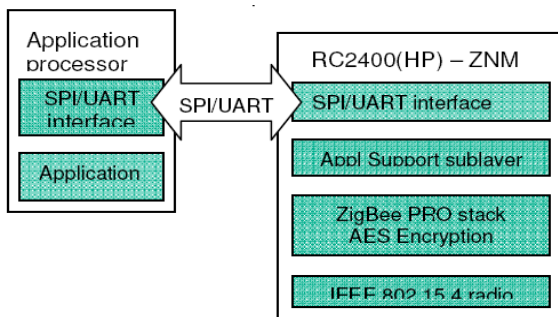
[Read here:](#)



APRO launches BON Series ruggedised PATA SSDs with Fast Erase

The new BON Series PATA SSDs support both PIO-4 and UDMA-6 transfer modes delivering a maximum sequential read performance of 105 MBytes/sec with an average access time of 0.2 ms and a maximum sequential write performance of 100 MBytes/sec. The drives also provide compatibility with IDE and ATA/ATAPI-7 legacy specifications.

[Read here:](#)



ZigBee Network Module Concept

Radiocrafts Newsletter

The RC2400/RC2400HP – ZNM is around the corner. This powerful ZigBee Network Module drastically simplifies ZigBee product development, and with high output power is a very powerful module.

[Read here:](#)



Seiko Instrument LTPD247 / 347

The combination of the 24 Volt printer mechanism CAPD247 (horizontal version) plus auto cutter results into this highly reliable, robust, fast and cost oriented printing solution. In addition to the benefits of the LTPD 24 Volt series, the cutter offers a reliability of 700.000 cuts minimum ensuring a continuously reliable paper output. With a height of less than 30mm including the auto cutter part this product makes the grade where space is limited.

[Read more:](#)



Med venlig hilsen / Best regards

ACTE A/S

Vallensbækvej 41, 2605 Brøndby E-Mail: sales@acte.dk Phone: +45 46 900 400

If you do not want to receive E-News from ACTE in the future, please return this email with "unsubscribe" in the title field.

